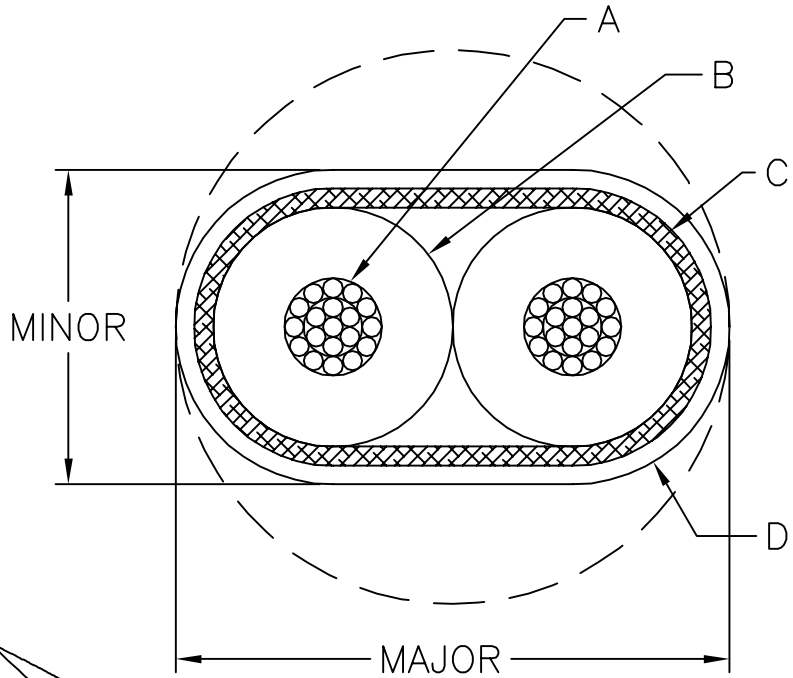
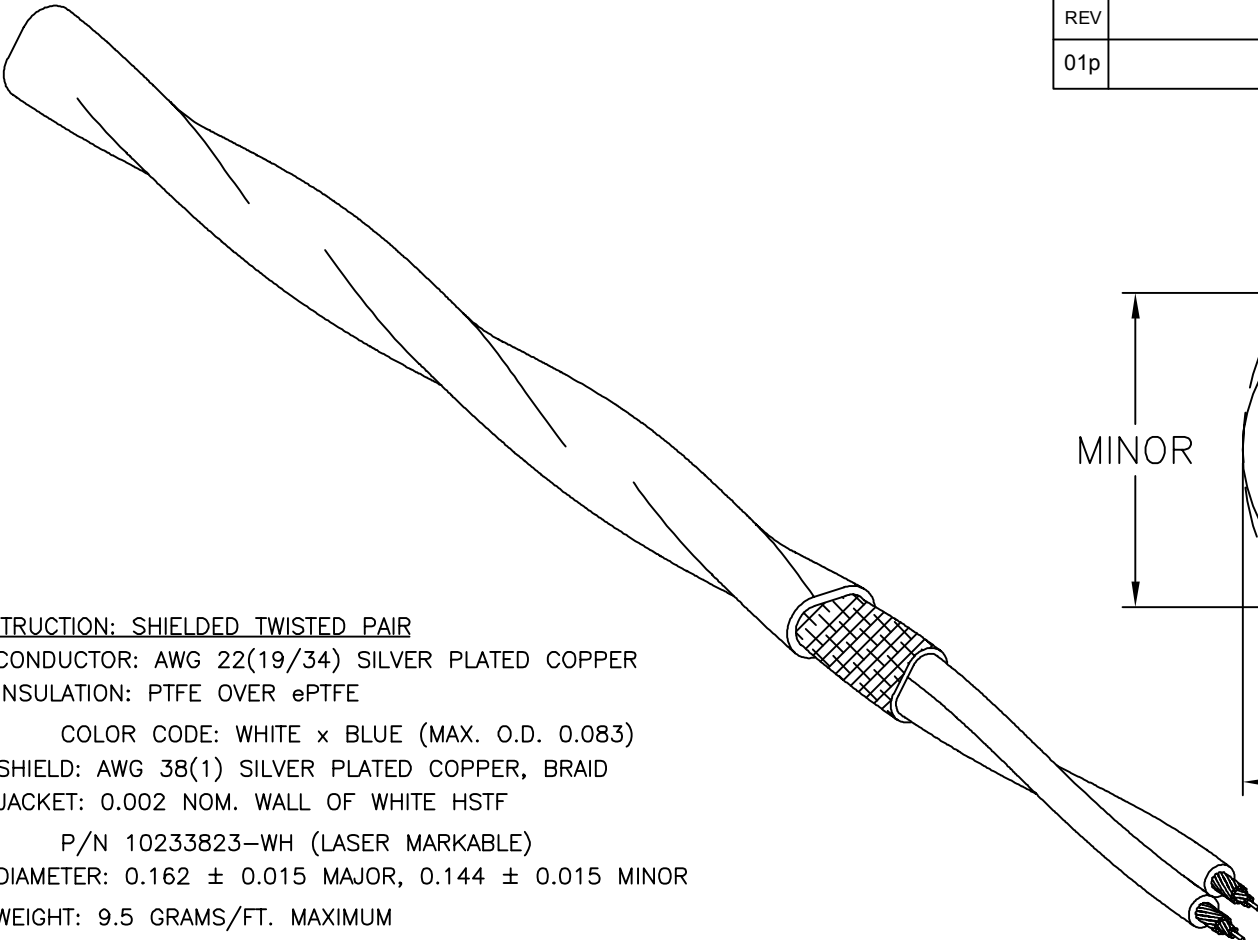


REVISIONS			
REV	DESCRIPTION	DATE	CHG'D B'
01p	PROTOTYPE RELEASE	17 MAY 2004	-



**CONSTRUCTION: SHIELDED TWISTED PAIR**

- A. CONDUCTOR: AWG 22(19/34) SILVER PLATED COPPER
- B. INSULATION: PTFE OVER ePTFE  
 COLOR CODE: WHITE x BLUE (MAX. O.D. 0.083)
- C. SHIELD: AWG 38(1) SILVER PLATED COPPER, BRAID
- D. JACKET: 0.002 NOM. WALL OF WHITE HSTF  
 P/N 10233823-WH (LASER MARKABLE)
- E. DIAMETER: 0.162 ± 0.015 MAJOR, 0.144 ± 0.015 MINOR
- F. WEIGHT: 9.5 GRAMS/FT. MAXIMUM
- G. MEETS FLAMMABILITY REQUIREMENTS OF  
 MIL-W-22759 PARAGRAPH 4.6.3.14

**ELECTRICAL REQUIREMENTS:**

- IMPEDANCE: 100 ± 10 OHMS, MEASURED DIFFERENTIALLY
- TIME DELAY: 1.24 nSEC/FT MAX.
- ATTENUATION: 6.5 dB/100FT NOM. @100MHZ  
 9.2 dB/100FT NOM. @200 MHz  
 21.4 dB/100FT NOM. @1 GHz

ALL NOMINAL DIMENSIONS HAVE A TOLERANCE OF ± 10%	
DIMENSIONS ARE IN INCHES	UNLESS OTHERWISE SPECIFIED
DO NOT SCALE DRAWING	.X ± n/a
DEBURR SHARP EDGES	.XX ± n/a
	.XXX ± n/a
	.XXXX ± n/a
	FRACTIONS ± n/a
	ANGLES ± n/a
	SURFACE TEXTURE n/a ✓
	BREAKS AND FILLETS n/a MAX
INTERPRET DRAWING IN ACCORDANCE WITH ASME Y14.5M-1994 (R1999)	

		<b>W. L. GORE &amp; ASSOCIATES, INC. (Gore)</b> Electronic Products Division NEWARK, DELAWARE 19711 302/738-4880 © 2004 W. L. Gore & Associates, Inc.	
By acceptance of this document you agree that all rights to drawings, specifications, processes and other data contained therein, as well as the proprietary and novel features of the subject matter, are reserved by Gore and are disclosed in confidence. They are not to be manufactured, used, sold or disclosed to others, nor are devices embodying such features or information derived from these disclosures to be used or disclosed, unless and until expressly authorized by Gore. These drawings, specifications, processes, etc., are and remain the property of Gore and are not to be copied or reproduced without express permission, and are to be returned upon request therefor.			
Title: <b>HIGH PERFORMANCE SHIELDED TWISTED PAIR</b>			
Dwg Size <b>A</b>	Sheet 1 of 1	Scale 15:1	Checked By XXX DD MMM YYYY
Rev Date 17 MAY 2004	Drawing Number <b>DXN2349</b>		Drawn By ECL 17 MAY 2004
			Rev Level <b>01p</b>