



Transportation

A.E. Petsche Co.

Rail Solutions

# Wire Protection Grommet Edging and Trim Fast® Trims



Spring-Fast SL Series



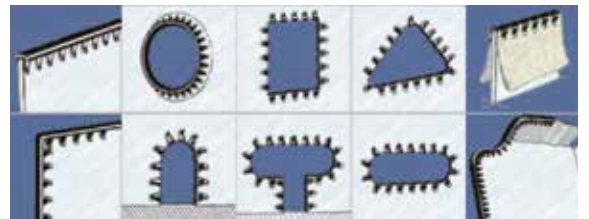
Spring-Fast BAP Series



Trim-Fast™ S Series



Spring-Fast Mil-Spec



We've got your back to the future



## Key products in the Spring-Fast® line include:

### FAA Approved Snap-on Grommet Edge Strips per M22529/2 Series

- Fastest, safest, most reliable wire protection
- Prevents chaffing damage and potential electronic fire hazards.
- Flexible design and installs continuously
- Used in airframe structures, electronic assemblies, racks and chassis, distribution and access panels

### Next Generation SL Series Wire Protection Grommet Edging

A perfect upgrade for your electronic enclosure and system.

- In use on an expanding installed base including: Airplanes, medical devices, computer servers, rail coaches, telecommunications equipment, switches and related power supply systems
- Protects the main power cable, signal wire and hydraulic lines from abrasion and is particularly effective within high performance environments

### Spring-Fast® BAP Series

- Lightweight and flexible to multiaxial & roll formed contours

### Other features include:

- UL94 V-0
- FMVSS 302
- Heat continuous to 185F (85 C)
- Low temperature to -40F (-40C)
- High gripping and dielectric strength
- High corrosion resistance
- High shock and vibration resistance per rms G 41.7
- Continuous edge protection on flanged holes, 1/8" or greater inside radius and 1/4" or greater outside radius.
- Sheet thickness of 0.020" (.5mm) to 0.260" (6.6 mm)

### Regulatory compliance

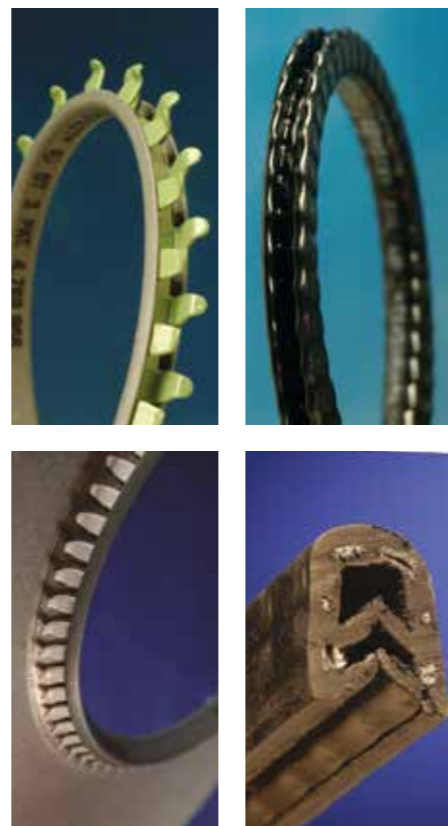
- Approved by the FAA and U.S. Department of Defense per NASM 22529/1 and NASM 22529/2 for all aircraft applications.
- Referenced in NAVAIR 01-1A-505-1 Aircraft Electronic Wiring Installation and Repair Practices Guidelines.
- Meets FAR 25.853 for flammability, BSS 7239 and ABD 0031 for flame, smoke and toxicity, MIL 1344 for shock and vibration.

### Key products in the Trim-Fast® line include:

- Variety of extruded trims with or without metal substrates
- Hi and low temp materials
- Material options from EPDM, PVC and Silicone, others on special request
- Wide array of sheet thicknesses up to 0.750" (19 mm) sheet
- Snap on and/or or PSA backed fastening
- Custom molded or extruded profiles via DTI's CFEA program
- Vulcanized terminal ends or mitered picture frames
- Color matching

### Packaging Options:

- Prepackaged 12.75" ( 32.4 cm) pre-cut lengths (package of 10)
- 25 ft. (7.8 mm), 100 ft. (30.5 mm) reels
- Factory discrete pre-cut lengths



# Spring-Fast® Wire Protection Grommet Edging

## EN 45545-2

Spring-Fast SL-FST Transit & Rail Series is the fastest, safest, most reliable way to protect wires, cables, and tubing from abrasion. It locks on with finger pressure in seconds, eliminating solvents, adhesives, ancillary materials, and volatile organic compounds (VOC's) while installing in half the time of traditional nylon grommets. It is ideal for demanding Transit and Rail applications and meets the strict testing requirements of EN 45545-2.

SL-FST is fully encapsulated in a flexible non-halogen, flame retardant, low smoke, low corrosive, and low toxic thermoplastic compound for added abrasion protection. In addition to use on railway vehicles and control systems, the SL-FST can be deployed in a variety of other high performance applications such as aircraft interiors, avionics, medical equipment, telecom and military vehicles.



### Industry Applications:

- Railway
- Aircraft Interiors
- Medical
- Military
- Automotive
- Aerospace
- Telecommunication
- General Industrial

### Benefits:

- 49% Cost savings (installs for half the cost of plastic MS21266)
- 9.5x Productivity increase
- Highest standards of performance
- Improved safety – no toxic adhesives/solvents



Installation Tools



### Features:

- Eliminates installation adhesives and cleaning solutions while improving productivity
- RoHS and DFAR compliant
- Multi-axis flexibility for flanged holes, inside and outside corners
- Indoor and outdoor use
- Continuous edge protection
- Excellent resistance to abrasion, water absorption, and low and high temperatures
- Improves ergonomics during assembly

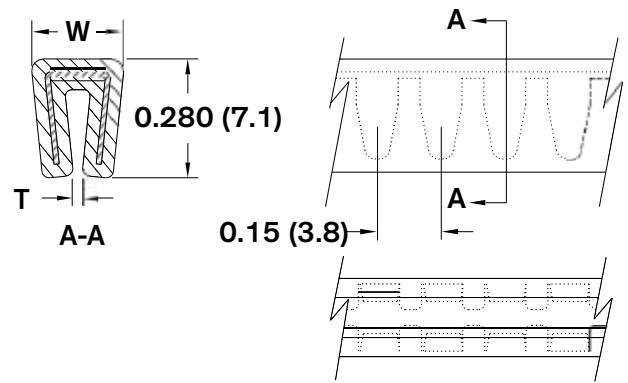
# Spring-Fast® SL-FST Transit Series Specifications and Ordering Options

Description	Specification Test Standard	Description
Axis Conformity	Multi	Parallel Splice
Substrate	Stainless Steel	ASTM A 666-03
Finish	TPE	-
Vicat Softening Point	ISO306 230° F (110°C)	ASTM DC1525 Rate B
Abrasion Resistance	No abrasion wear, weight, or dielectric change at 280,800 cycles	
Flammability	VW-1	IEC-332-3, IEEE 383 Flame test ratings, EN ISO 5658-2 CFE (kW/m2)
Cone Calorimeter	EN 45545	ISO 5660-1
Toxicity	EN 45545	EN ISO 5659-2 FTIR
Smoke Density - Non Halogen	EN 45545 ASTM E662 Optical Density Test Results: Ds @ 4.0 min (non-flaming): 0.5 Ds @ 4.0 min (flaming): 1.0	EN ISO 5659-2, ASTM E662

EN 45545		
Requirement*	Application	Level
R1	Interior surfaces Window frames Display screens	HL2
R2	Limited surfaces	HL2
R3	Strips, vertical cover strips on walls	HL3
R6	Passenger seat shell interior (coverings)	HL2
R9	Air bags for pneumatic suspension, tires, brakes, parts of the drive	HL3
R19	Seats in staff area	HL3
R21	Upholstery assembly for seat & Mattresses	HL3

\*Other Requirement Sets testing to be determined.

Product Size	Sheet Thickness "T"		Width "W"	
	Inches	mm	Inches	mm
0	0.020 - 0.030	(0.5 - 0.8)	0.212	(5.4)
1	0.029 - 0.045	(0.7 - 1.1)		
2	0.044 - 0.056	(1.1 - 1.4)		
3	0.055 - 0.069	(1.4 - 1.7)		
4	0.069 - 0.090	(1.7 - 2.3)	0.277	(7.0)
5	0.089 - 0.114	(2.3 - 2.9)		
6	0.113 - 0.130	(2.9 - 3.3)		
6 MA	0.135 - 0.145	(3.4 - 3.7)		



Due to sheet thickness tolerances and finishes, end user should determine product sizes by trial. When sheet thickness is at the maximum for the grommet chosen, end user may use a rubber mallet to set, or try the next size larger grommet.

## Ordering Options

### SL-FST Series on Reel

**SL-FST4 - 0025 - ER 0201**

12 Gage Aluminum Panel

25" (7.6m) Reel

Reel

Encapsulate: TPE Color: Black

### SL-FST Series Factory Precut

**SL-FST6 - 0053 - EC 0201**

0.125" (3.56mm) Panel

53 Castles, 53 × 0.15 - 7.95"

Factory Precut Length

Encapsulate: TPE Color: Black

## Additional Ordering Options

- 25' (7.6m), 100' (30.4m), 500' (152m) reels
- Factory pre-cut lengths
- Bulk or private brandedkits
- Roll-Fast™ installationtool
- #830 Full Bypass Shears
- Cut to Length Scale

### A.E. Petsche Co.

1501 Nolan Ryan Expressway  
Arlington, TX 76011  
**(844-237-7600)**

Unit 37 Suttons Business Park  
Reading, UK  
**(+441189693230)**

Rubensstraat 104/6  
2300 Turnhout, Belgium  
**(+3214445800)**

Pansystem, Via Colleverde 16  
00131 Roma  
**(+39064130978)**

Email:  
**rail@aepetsche.com**

AEP/DTI/0818